

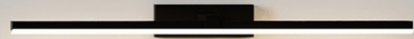


Jet-Air
Cool, Warm & Collected



Q PLUS WINE INVERTER

- 10 Year Inverter Compressor Warranty
- Wired Controller (Optional Extra)
- 3D Airflow
- 7 Fan Speed Mode (Indoor)
- Energy Saving
- Wide Voltage Range
- Gold Fin
- I Feel



Wired Controller
(Optional Extra)



3D Airflow



7 Fan Speed

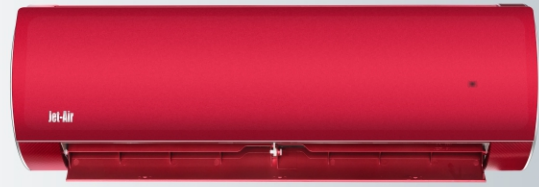


Proudly distributed by

JASA
Smart Home

Johannesburg (011)708 1148
Pretoria (012)752 8777
East Rand (011)823 2119
Cape Town (021)823 8866

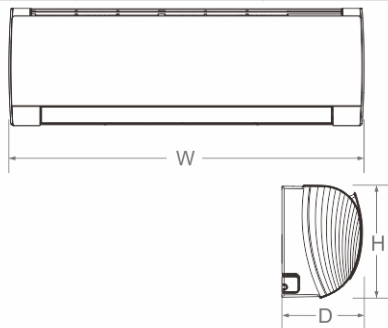
Durban (031)577 0498
Nelspruit (013)752 3258
Port Elizabeth (041)364 0947
Botswana (00267)262 2909



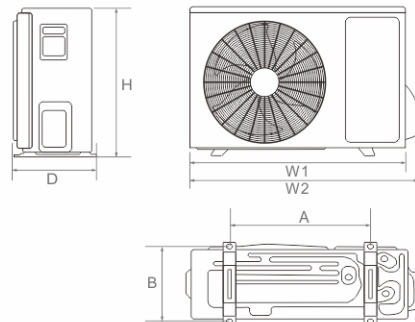
INVERTER

Model			JASA-H09A4/QWI	JASA-H12A4/QWI	JASA-H18A4/QWI	JASA-H24A4/QWI	JASA-H30A4/QWI	JASA-H36A4/QWI
Power Supply		V~,Hz,Ph	220~240,50,1	220~240,50,1	220~240,50,1	220~240,50,1	220~240,50,1	220~240,50,1
Capacity	Cooling	W	2650	3500	5100	7034	8900	10550
	Heating	W	2700	3650	5200	7034	9700	10550
Performance		EER/COP	3.45/4.00	3.01/3.68	3.01/3.41	3.21/3.61	3.41/3.70	3.52/3.80
Electric Data	Rated Cooling Power Input	W	768	1162	1694	2191	2610	3000
	Rated Heating Power Input	W	675	992	1525	1954	2621	2776
	Rated Cooling Current	A	3.40	4.82	7.23	9.77	11.50	13.50
	Rated Heating Current	A	3.00	4.80	6.42	8.90	11.60	13.00
Indoor	Indoor Air Flow	m ³ /h	610/570/540/470/ 440/420/390	680/620/560/490/ 450/420/390	850/800/750/700/ 680/650/630	1250/1150/1050/950/ 870/800/700	1500/1100/1050/950/ 900/850/800	1450/1100/1050/950/ 850/800/750
	Noise Level	dB(A)	40/37/36/33/31/29/28	42/38/36/34/32/30/27	47/44/42/41/38/36/35	48/45/42/39/36/34/31	53/46/44/41/40/38/36	52/45/43/40/38/36/34
	Outline Dimension (W×H×D)	mm	935×349×273	935×349×273	1055×366×287	1172×398×322	1172×398×322	1172×398×322
	Package Dimension (W×H×D)	mm	953×358×288	953×358×288	1077×375×300	1190×407×335	1190×407×335	1190×407×335
	Weight Net/Gross	kg	11.0/13.0	11.0/13.0	14.0/16.5	17.0/20.0	16.5/19.5	16.5/19.5
Outdoor	Noise Level	dB(A)	51	52	56	56	60	62
	Outline Dimension (W×H×D)	mm	732×555×330	732×555×330	732×555×330	958×660×402	958×660×402	1000×746×427
	Package Dimension (W×H×D)	mm	794×615×376	794×615×376	794×615×376	1032×737×456	1032×737×456	1080×810×483
	Weight Net/Gross	kg	24.5/27.0	24.5/27.0	27.0/29.5	43.0/47.5	42.0/46.5	50.0/55.0
Refrigerant Type		g	R410A/640	R410A/700	R410A/1000	R410A/1500	R410A/1600	R410A/1800
Refrigerant Pipe	Gas	inch	3/8"	3/8"	1/2"	5/8"	5/8"	5/8"
	Liquid	inch	1/4"	1/4"	1/4"	1/4"	1/4"	1/4"
	Max Length	m	15	20	25	25	25	25
	Max Height	m	10	10	10	10	10	10

Indoor Dimension		
Model	WxHxD(mm)	Packing Dimension
JASA-H09A4/QWI	935×349×273	953×358×288
JASA-H12A4/QWI	935×349×273	953×358×288
JASA-H18A4/QWI	1055×287×366	1077×300×375
JASA-H24A4/QWI	1172×322×398	1190×335×407
JASA-H30A4/QWI	1172×322×398	1190×335×407
JASA-H36A4/QWI	1172×398×322	1190×407×335



Outdoor Dimension			
Model	W1(W2)xHxD(mm)	Packing Dimension	AxB(mm)
JASA-H09A4/QWI	685(732)×555×330	794×615×376	455×312
JASA-H12A4/QWI	685(732)×550×330	794×615×376	455×312
JASA-H18A4/QWI	685(732)×555×330	794×615×376	455×312
JASA-H24A4/QWI	948(958)×660×402	1032×737×456	570×370
JASA-H30A4/QWI	948(958)×660×402	1032×737×456	570×370
JASA-H36A4/QWI	923(1000)×746×427	1080×810×483	609×395



Due to JASA policy of constant improvement, specifications are subject to change without prior notice.

Remarks: Cooling capacities are based on indoor air temp. 27°C DB, 19°C WB and outdoor air temp. 35°C DB, 24°C WB. The above specifications are subject to change without prior notice for product improvement.

E.&O.E.

