



[www.jet-air.co.za](http://www.jet-air.co.za)

Due to **JASA** policy of constant improvement, specifications are subject to change without prior notice.

Copyright© JASA. All rights reserved.

E.&O.E.

Proudly distributed by

**JASA**  
Smart Home

Johannesburg (011)708 1148  
Pretoria (012)752 8777  
East Rand (011)823 2119  
Cape Town (021)823 8866

Durban (031)577 0498  
Nelspruit (013)752 3258  
Port Elizabeth (041)364 0947  
Botswana (00267)262 2909



# Rooftop Packaged Unit



Jet-Air  
Cool, Warm & Collected





# Features

## High energy efficiency and performance

The compressor and outdoor fan can adjust the operating frequency according to different room loads, and automatically adjust the capacity output to ensure the comfort in the room. At the same time, the power consumption of the unit changes along with the capacity output and the power consumption of unit is low in low-load operation. Compared with the fixed-speed unit, its annual power consumption is lower, which is high-efficiency and power-saving.

### ◆ Energy-efficient compressor

The whole series adopts DC inverter compressor, and the compressor will adjust the frequency intelligently. Temperature control is accurate, energy efficiency and reliability is high.



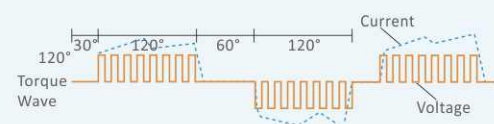
### ◆ DC inverter motor

The outdoor side applies DC inverter motor with high back electromotive force. The efficiency is greatly improved compared with the AC motor.

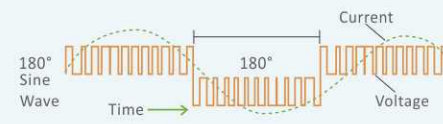


### ◆ 180° sine wave DC speed change technology

The output wave of 180° current is the smooth sine wave. It contains little harmonic wave, and has small torque fluctuation and large adjustment range. The motor can operate stably to meet the requirements of different occasions, saving power and ensuring the utmost comfort of users.



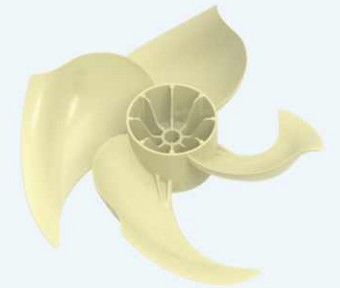
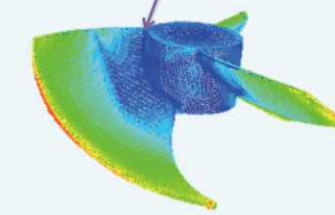
Stepless regulation range of rotation speed: 1200-7200 rpm



### ◆ High-efficient fan blade

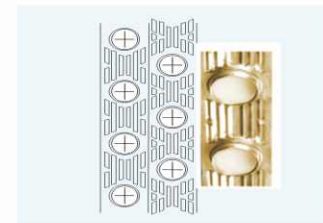
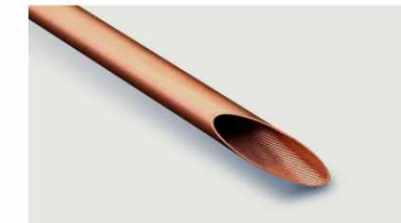
The new high-efficiency fan blade adopts CFD simulation technology to optimize the matching of blade type and blade angle. In addition to the special trail edge design, the working area of blade is effectively increased and the air volume is also greatly increased.

Optimized fan to limit air flow division and increase air volume



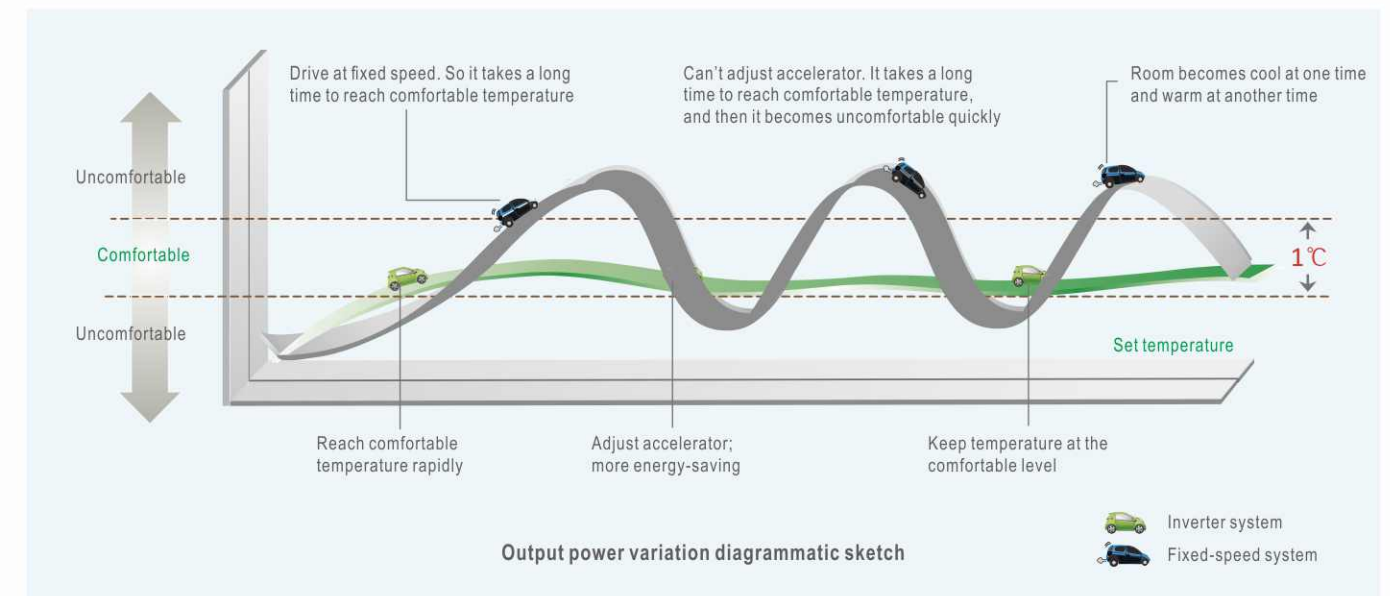
### ◆ High-efficiency heat exchanger

The heat exchanger adopts window opening and inner groove copper pipe structure, with high heat exchange efficiency.



### ◆ Precise temperature control technology

Jet-AIR intelligent inverter control delivers the required capacity according to the load variation from 10% to 120% and maintains the room temperature fluctuation 1°C of set temperature.

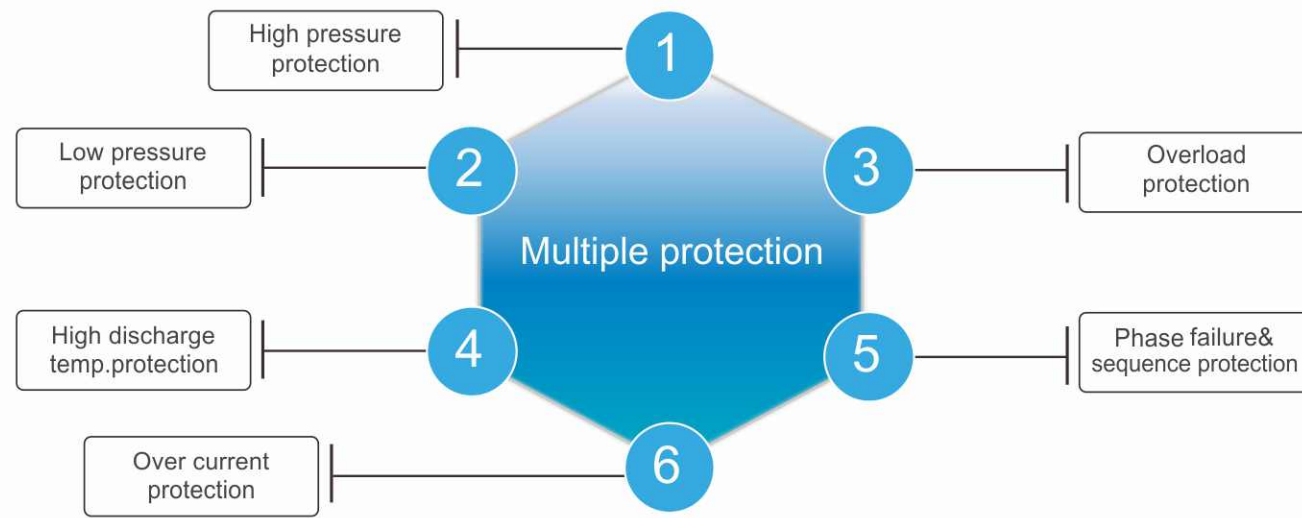




# High reliability

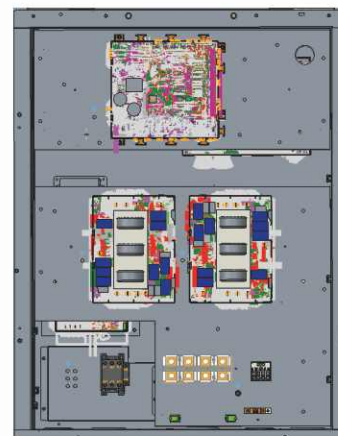
## ◆ High-efficiency heat exchanger

Jet-Air rooftop units are with high voltage protection, low voltage protection, overcurrent protection, discharge protection, phase sequence protection and other protections. It can effectively protect key components such as compressors and motors.



## ◆ Strong and weak current separated for protection

The ports of all weak current load wire and strong single-phase load wire are integrated at the main board, while the strong current and weak current are separated. All terminals are distinguished by color and series number, and the wiring port on the main board can only connect with the corresponding wiring terminal of load, convenient for after-sales maintenance and wiring.



## ◆ Automatic adjustment of throttling

Electronic expansion valve adjusts the opening degree automatically. It ensures that the system parameters are within a reasonable range when the unit operates under all working conditions, to improve the operation reliability and service life of the unit.



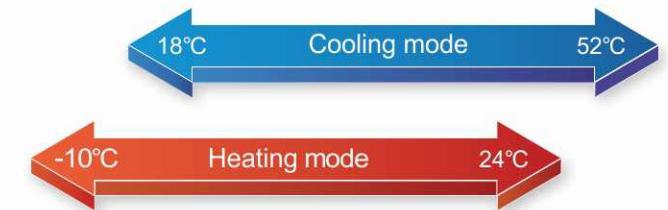
## ◆ Excellent grid adaptability

Jet-Air rooftop units are with strong anti-grid fluctuations design. Performance is stable in ultra wide voltage range from 90% to 110%, which is perfectly adapted to the power grid fluctuation during peak hours or other conditions.



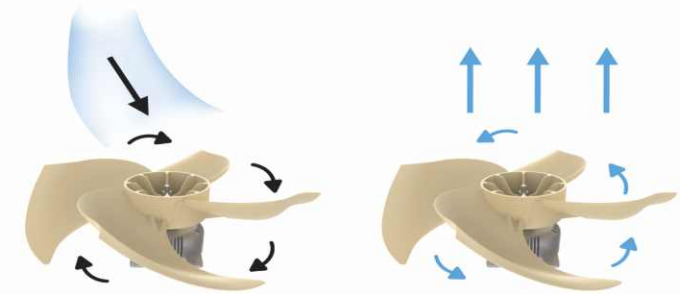
## ◆ Wide temperature range for operation

DC inverter motor is adopted. With precise control on system pressure, the temperature range of unit operating is much wider.



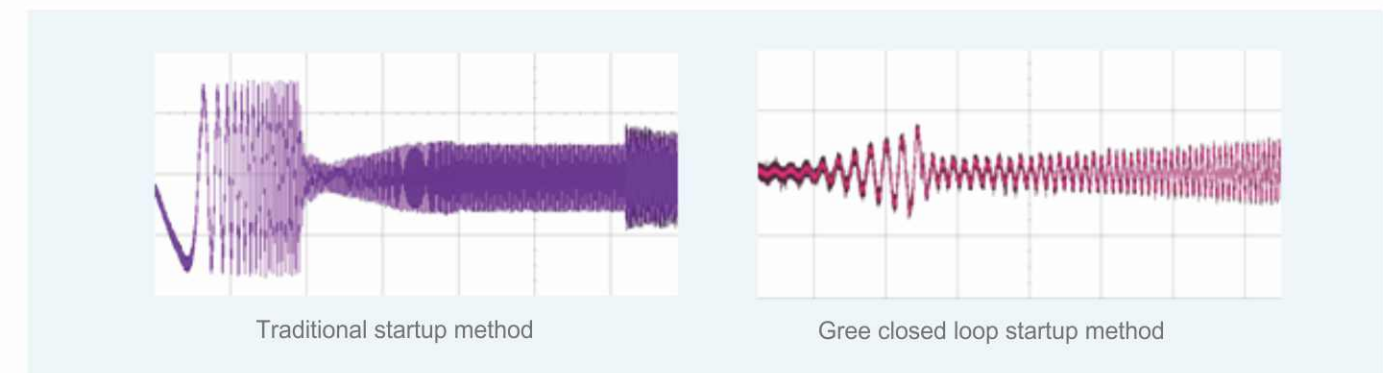
## ◆ Anti-wind design of outdoor fan

Adopt anti-wind startup design to solve the problem that the unit cannot start smoothly in the reverse operation under the high wind environment. The anti-wind startup design allows the unit to adapt to the harsh windy environment and start reliably. The outdoor fan runs smoothly, which is safer and more reliable.



## ◆ Compressor closed loop startup technology

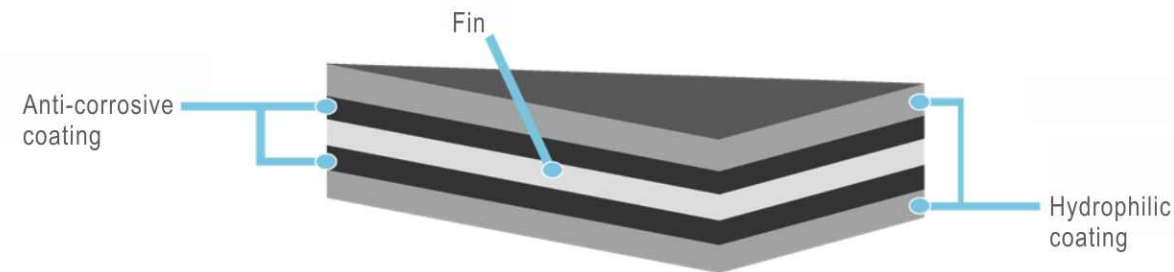
Adopt the self-innovated closed loop startup control mode to make the output torque rapidly follow the load torque, which needs small startup electricity current, reliable for startup.





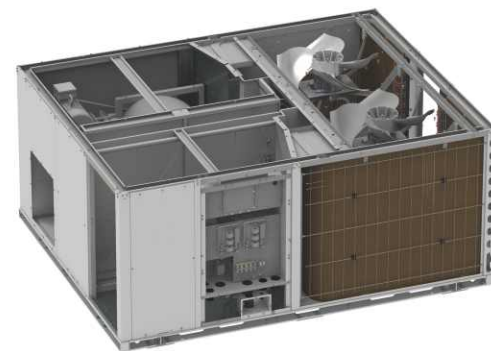
◆ Anti-corrosive heat exchanger

The outdoor heat exchanger fins are treated with anti-corrosive golden coating to pass the 1000h neutral spray test, which is with good corrosion resistance.



◆ High anticorrosion outer case

All external sheet metals adopt spraying treatment, which can bear 500h of neutral salt spray test, while the general sheet metal can only withstand 200h of salt spray test; the durability has been improved by 250%. All bolts use stainless steel materials, with high corrosion resistance.



◆ Mothproof electric box

Unsealed electric box (two kinds of structures): The electric box is added with a heat dissipation window with a 30-mesh metal filter or  $\Phi 3\text{mm}$  circular heat radiation hole, which can effectively prevent insects.



More convenient and comfortable

◆ Control of dual wired controllers

In order to provide convenient operation to users, we have developed the control function of dual wired controllers. In this case, the user can install the wired controller in different places for convenient operation.



◆ Power-off memory function

The user can set power-off memory function. If this function is activated, the unit will automatically operate in previous setting mode when power recovers after power failure.

◆ Cold air prevention function

When the unit just starts heating or the outdoor unit just finishes defrosting, the temperature of indoor evaporator is quite low. If the indoor fan operates in this case, cold air will blow out. Our products are optimized in design to prevent cold air so as to improve user's comfort.



## Maintenance and installation

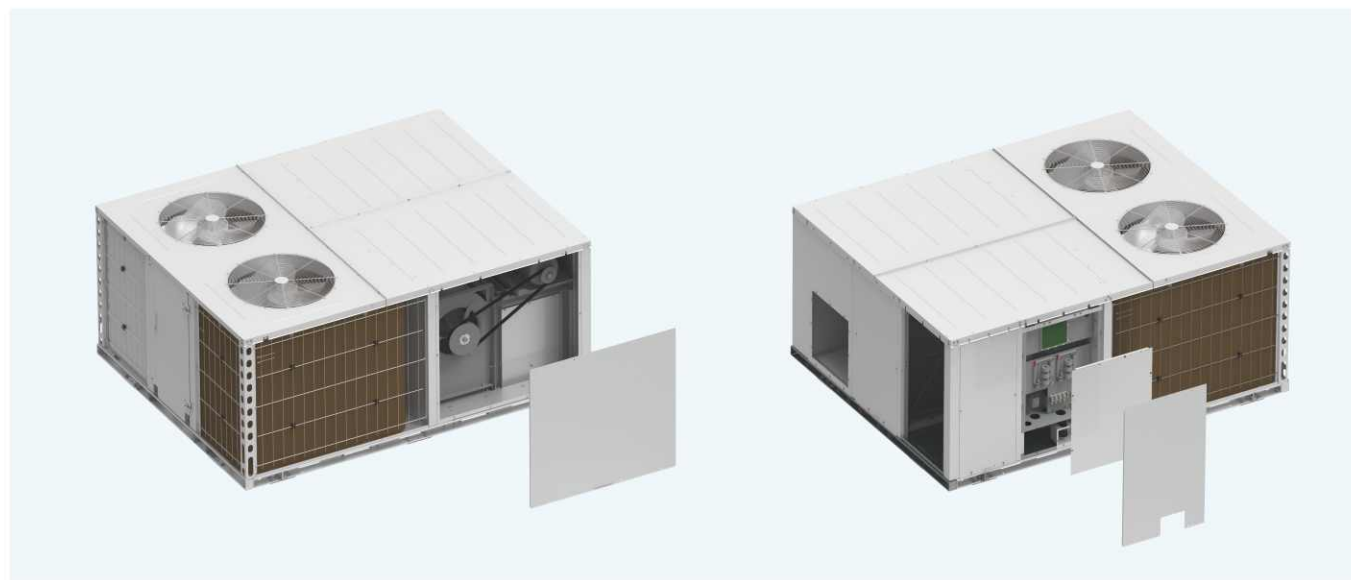
### ◆ Convenient for disassembly and assembly (outdoor case)

- > The outdoor cavity has a hinge type access door. The access door can be opened and closed no need to remove screws (bolts).
- > The width of the access door is 540mm (only applicable for 30 tons of heat pump unit). The after-sales person can get into the outdoor cavity for maintenance.
- > It's convenient to check and replace the compressor, outdoor motor, four-way valve, etc.



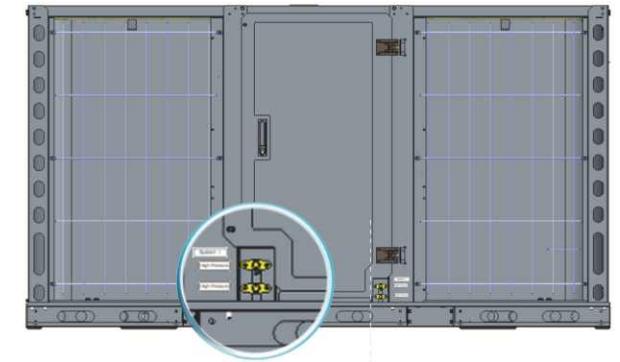
### ◆ Convenient for disassembly and assembly (indoor case)

The case panels at the fan side of indoor cavity and electric box side are easy for disassembly, convenient for electric wiring and belt maintenance.



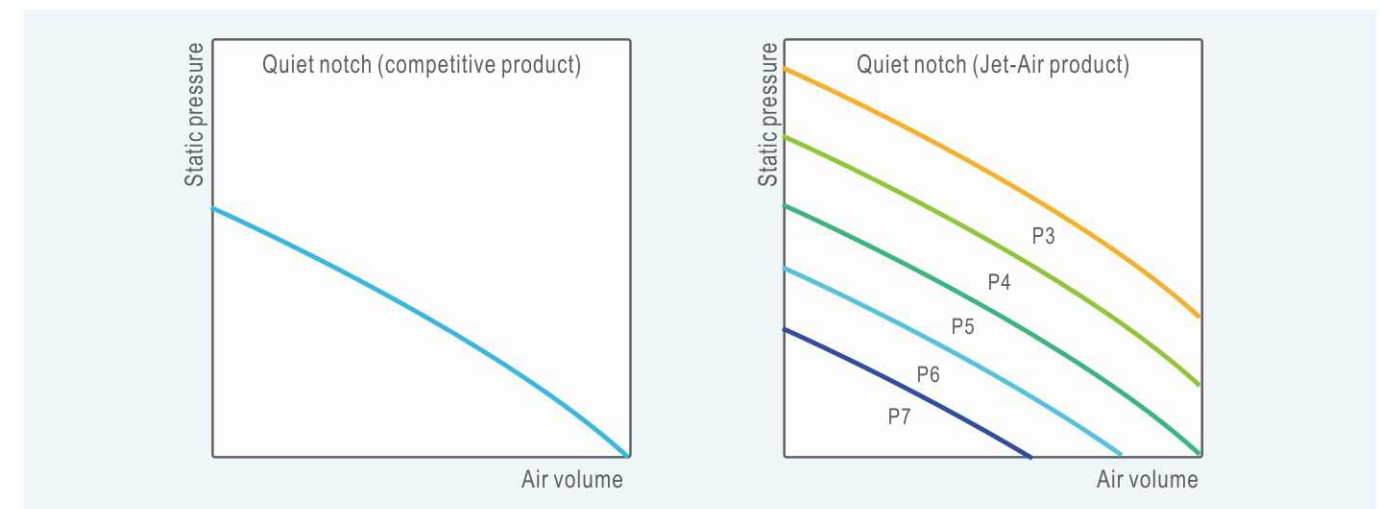
### ◆ Detection port for high/low pressure

All units are designed with outdoor detection port for high/low pressure, which can measure the high/low pressure even if the unit is still working, convenient for the after-sales person to check the system pressure, vacuum pump and add refrigerant.



### ◆ Adjustable static pressure of indoor fan

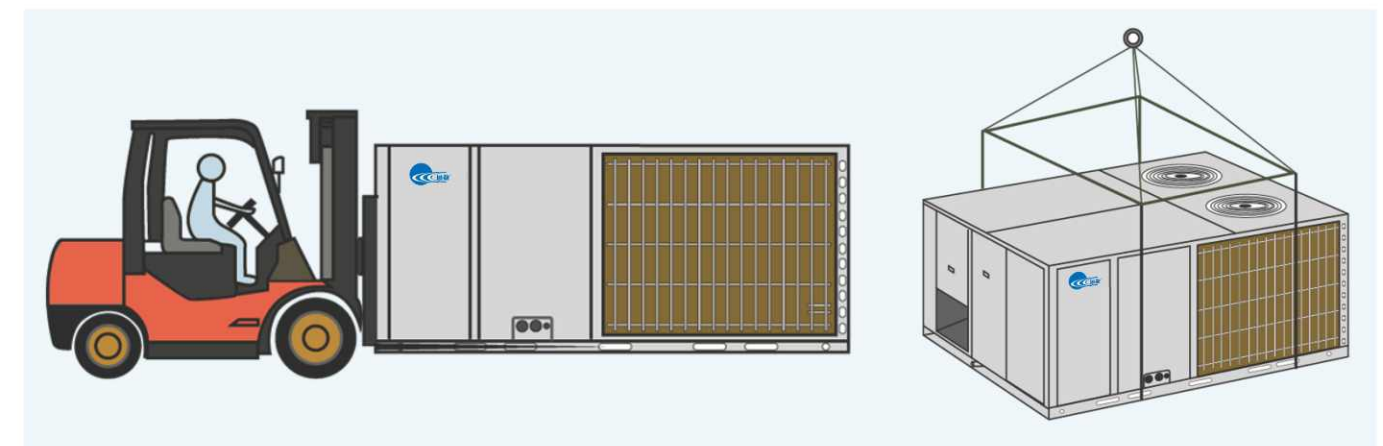
The indoor fan is with five static pressure modes for flexible selection basing on different installation requirements, with high engineering adaptability. Static pressure can be set by the wired controller, convenient for operation.



Note: Only for 10ton or below units.

### ◆ Flexible transformation

The sheet metal of base is made by thick galvanized stainless steel and it's with the holes for forklift and hoisting. Therefore, forklift or hoisting can be selected for transportation, flexible and convenient.



# Inverter Rooftop Packaged Unit (380V)

## Inverter Rooftop Packaged Unit (380V)

It adopts DC inverter design with capacity range from 5.5~30tons. Side supply and side return air discharge way are applied. It can be installed in rooftop and outdoor flat floor, which is applicable for shopping malls, hotels, halls, apartments, villas and other buildings.



- ◆ The whole series adopts DC inverter compressor, and the compressor will adjust the frequency intelligently. Temperature control is accurate, and energy efficiency and reliability are high.
- ◆ The outdoor side applies DC inverter motor with high back electromotive force. The efficiency is greatly improved compared with the AC motor.
- ◆ Adopt the self-innovated closed loop startup control mode to make the output torque rapidly follow the load torque, which needs small startup electricity current, reliable for startup.
- ◆ The high-efficiency fan blade adopts CFD simulation technology to optimize the matching of blade type and blade angle. In addition to the special trail edge design, the working area of blade is effectively increased and the air volume is also greatly increased.
- ◆ The working area of blade is effectively increased and the air volume is also greatly increased.
- ◆ Gree rooftop units are with high voltage protection, low voltage protection, overcurrent protection, discharge protection, phase sequence protection and other protections.
- ◆ Gree rooftop units are with strong anti-grid fluctuations design. The performance is stable in ultra wide voltage range from 342V to 456V.
- ◆ Anti-wind startup design is used to solve the problem that the unit cannot start smoothly in the reverse operation under the high wind environment.
- ◆ The outdoor heat exchanger fins are treated with anti-corrosive golden coating to pass the 1000h neutral spray test, which has good corrosion resistance.
- ◆ The sheet metal of base is made of thick galvanized steel sheet. It is designed with forklift holes and hanging holes, so that you can choose forklifting or hanging during installation, which is flexible and convenient.
- ◆ Centralized control is available without connecting the wired controller. Maximum 36 sets of unit can be controlled at the same time.



Item	Nominal operating condition(temperature)				Operating range(temperature)
	Outdoor condition		Indoor condition		Outdoor condition
	DB( °C )	WB( °C )	DB( °C )	WB( °C )	DB( °C )
Cooling	35	24	27	19	18~52
Heating	7	6	20	15	-10~24

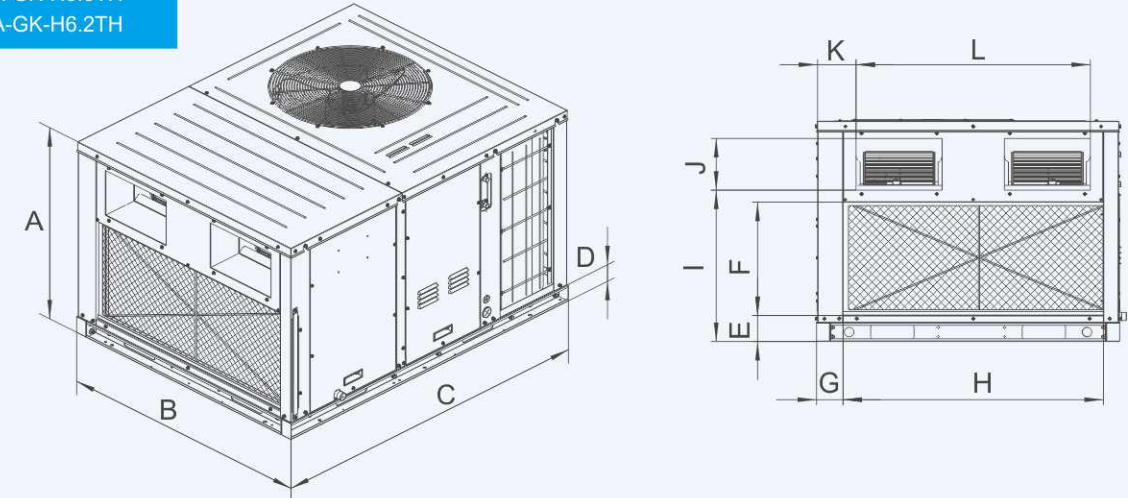
## Specifications

Model			JASA-GK-H5.5TH	JASA-GK-H6.2TH	JASA-GK-H7.5TH	JASA-GK-H10TH
Capacity	Cooling/Heating	kW	22/26	23/28	29/32	34/39
	Cooling/Heating	RT	5.5/7.5	6.2/8.0	7.5/9.0	10.0/12.0
Power supply	V/Ph/Hz		380-415V 3N~ 50/60Hz			
Power input	Cooling	kW	8.5	8.5	9.0	13.5
	Heating	kW	7.5	7.5	8.0	11.5
Current input	Cooling	A	15	15	16	21
	Heating	A	13.5	13.5	14.5	18
Refrigerant charge volume	kg		5	5	8	10
Air flow volume	CFM		1766	1765.5	2589	3413
	m³/h		3000	3000	4400	5800
Sound pressure level	dB(A)		66	66	68	72
ESP	Rated	Pa	60	60	80	90
	Range	Pa	0-180	0-180	0-210	0-210
Drainage Connection Size (Outer diameter×wall thickness)	inch		3/4"(NPT)	3/4"(NPT)	3/4"(NPT)	3/4"(NPT)
Dimension (W×D×H)	Outline	mm	1450×1120×815	1450×1120×815	1450×1120×815	1450×1120×815
	Package	mm	1463×1133×860	1463×1133×860	1463×1133×860	1463×1133×860
Net weight/Gross weight	kg		268/289	268/289	348/368	1100/1150
Loading quantity	40'GP	set	32	32	16	16
	40'HQ	set	48	48	32	32

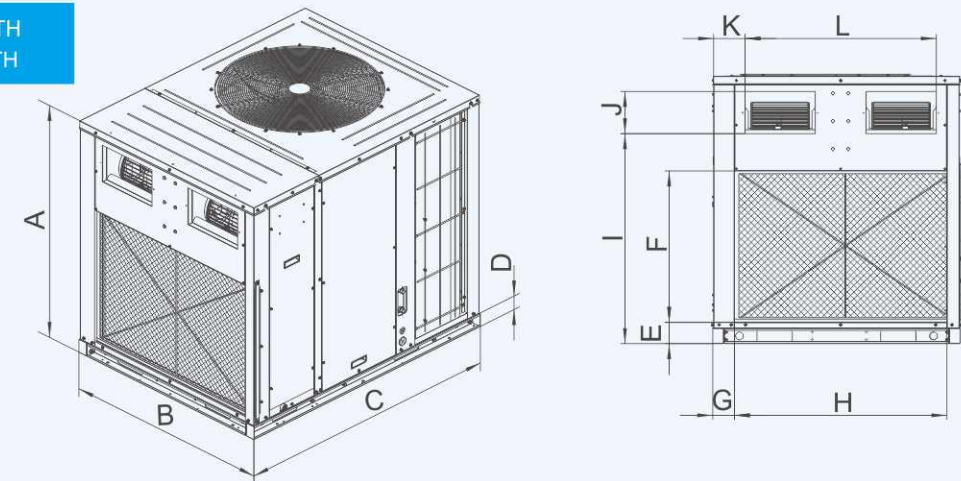
Model			JASA-GK-H15TH	JASA-GK-H20TH	JASA-GK-H25TH	JASA-GK-H30TH
Capacity	Cooling/Heating	kW	50.1/56.0	63.5/75.0	89.0/101.0	108/128
	Cooling/Heating	RT	14.5/16.0	18.0/21.0	24.0/26.0	30.0/36.0
Power supply	V/Ph/Hz		380-415V 3N~ 50Hz			
Power input	Cooling	kW	23.0	28.5	32.0	43.0
	Heating	kW	16.5	25.0	30.0	38.0
Current input	Cooling	A	39.0	48.0	54.0	73.0
	Heating	A	28.0	42.0	51.0	64
Refrigerant charge volume	kg		12	16	25	14+14
Air flow volume	CFM		5591	8824	9706	9710.25
	m³/h		9500	15000	16500	16500
Sound pressure level	dB(A)		74	76	77	77
ESP	Rated	Pa	130	150	200	125
	Range	Pa	130/200	150/220	200/250	125 / 310
Drainage Connection Size (Outer diameter×wall thickness)	inch		3/4"(NPT)	3/4"(NPT)	3/4"(NPT)	3/4"(NPT)
Dimension (W×D×H)	Outline	mm	2260×1140×1245	2240×1880×1250	2850×2240×1270	2850×2240×1240
	Package	mm	2283×1163×1290	2258×1898×1300	2893×2253×1290	2863×2253×1285
Net weight/Gross weight	kg		590/618	820/870	1180/1224	1009/1070
Loading quantity	40'GP	set	10	6	4	4
	40'HQ	set	20	12	8	8

## Dimension

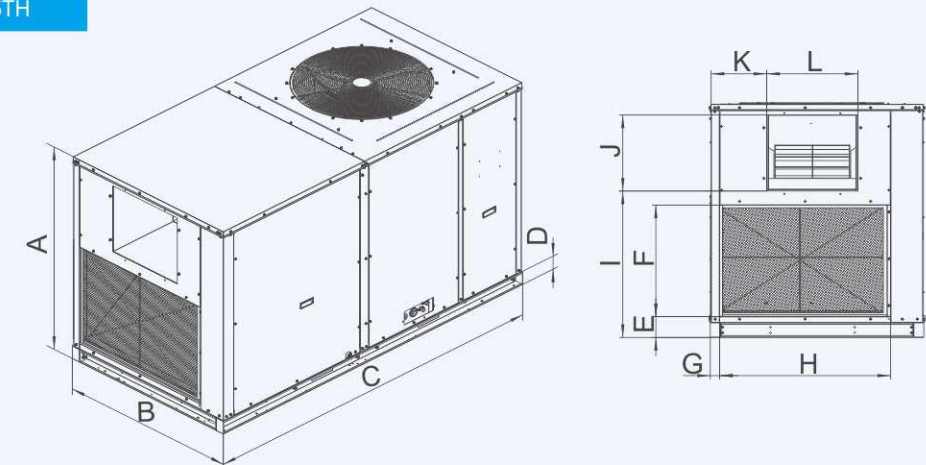
JASA-GK-H5.5TH  
JASA-GK-H6.2TH



JASA-GK-H7.5TH  
JASA-GK-H10TH



JASA-GK-H15TH

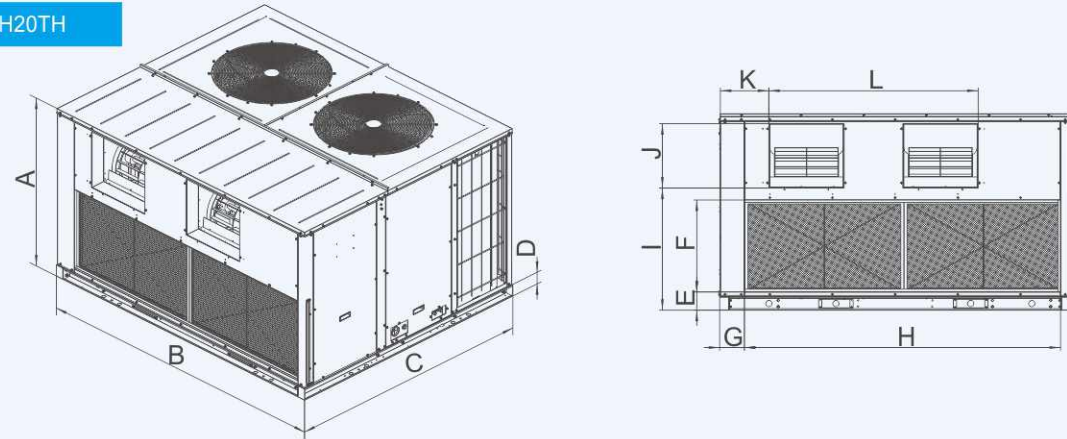




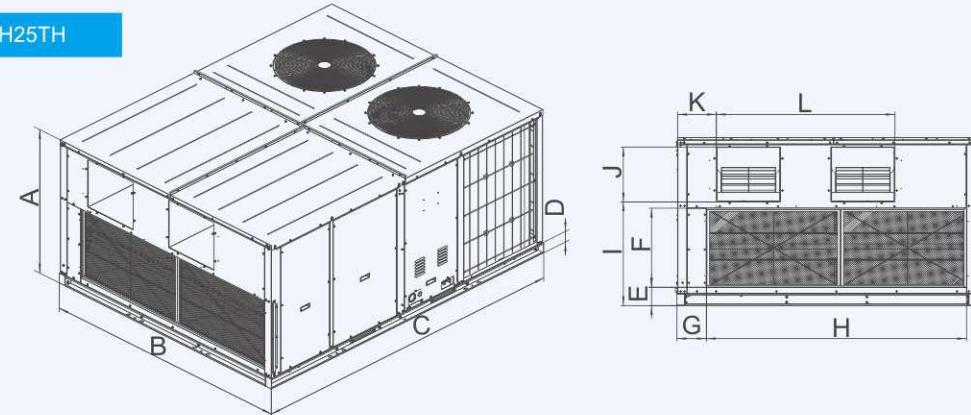


# Controllers

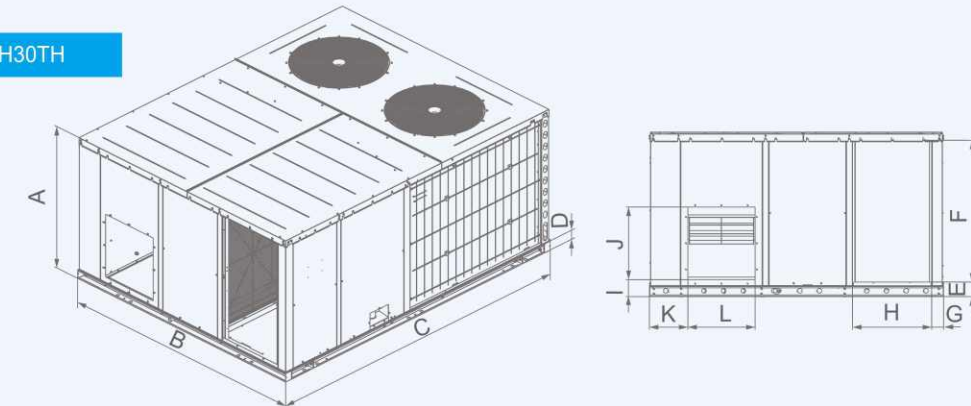
JASA-GK-H20TH



JASA-GK-H25TH



JASA-GK-H30TH



Unit: mm

Dimension	A	B	C	D	E	Size of air return		G	I	Size of air supply		K
						F	H			J	L	
JASA-GK-H5.5TH	815	1120	1450	70	96	419	962	98	599	155	720	216
JASA-GK-H6.2TH	815	1120	1450	70	96	419	962	98	599	155	720	216
JASA-GK-H7.5TH	1215	1120	1450	70	96	686	962	98	951	191	866	142
JASA-GK-H10TH	1215	1120	1450	70	96	686	962	98	951	191	866	142
JASA-GK-H15TH	1245	1140	2260	80	111	595	914	50	782	406	487	297
JASA-GK-H20TH	1250	2240	1880	85	116	597	2017	158	779	411	1336	309
JASA-GK-H25TH	1270	2240	2880	90	137	590	1944	220	775	410	1335	290
JASA-GK-H30TH	1240	2240	2850	80	111	1081	603	90	129	553	513	293

Note: Above diagrams may be different from actual mode.

## Easy Diagnosis

The "88" on the indoor wired controller (display board) and the main board inside the outdoor electric box will also display the operation status, error codes, etc. It's convenient for checking by users and after-sales maintenance.



## Intelligent control

### Wired controller (standard)

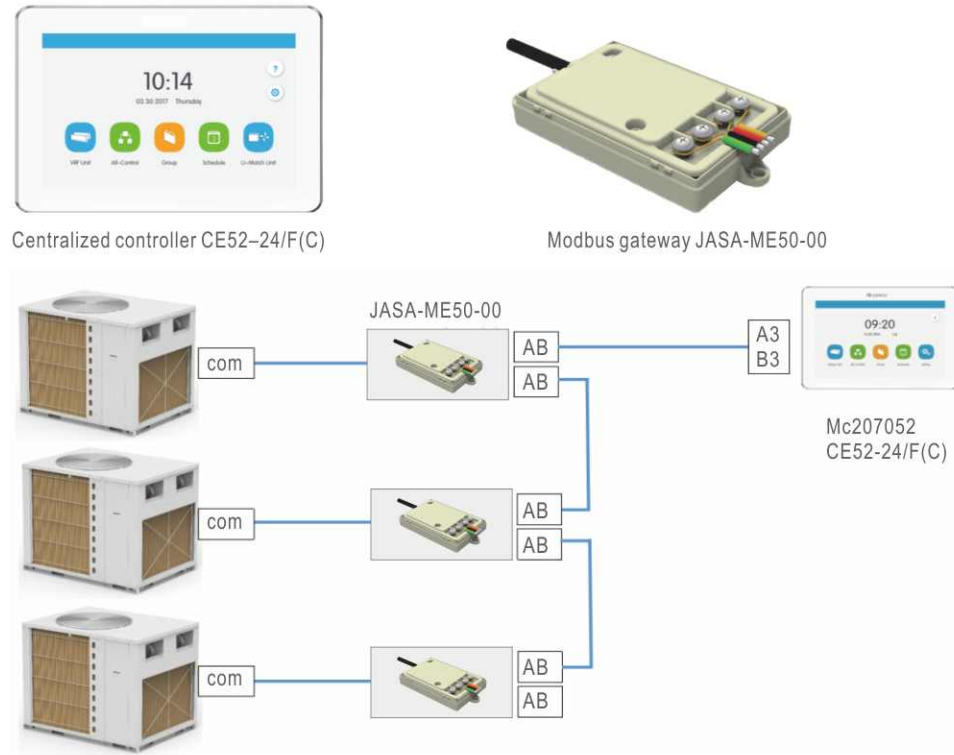
- ◆ Standard wired controller;
- ◆ Fashionable and compact appearance, with 8 touch buttons and moisture-proof structure;
- ◆ Support infrared remote control signal;
- ◆ 7 fan speeds;
- ◆ Switchover among auto, cooling, dry, fan and heating modes is available;
- ◆ With sleep, air, quiet, SE, E-heater, x-fan, memory, low-temperature dry, leave (heating) and filter cleaning reminder functions;
- ◆ Adopt two-core communication, low cost, easy to extend and wrong connection prevention.





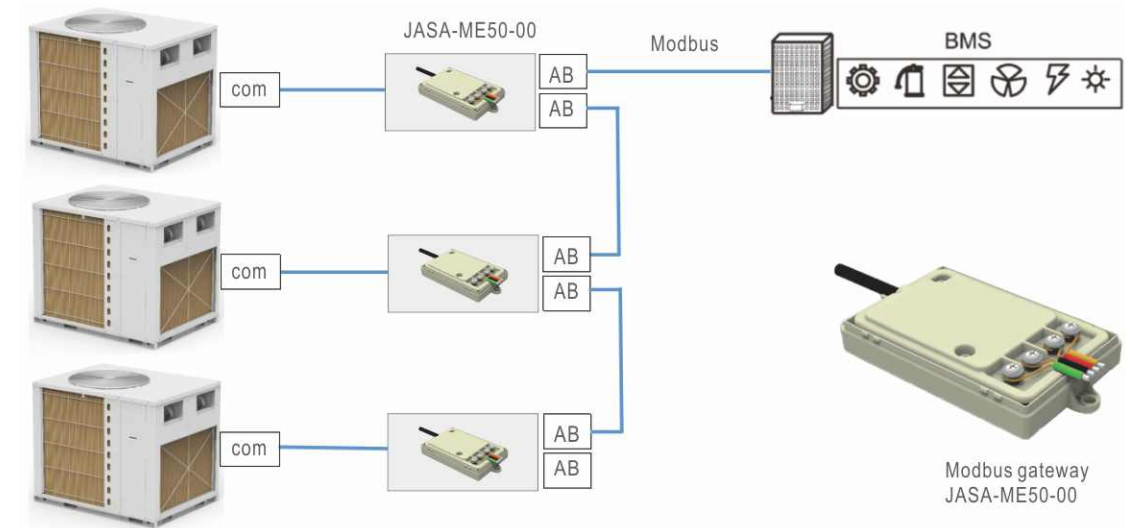
### Centralized control (optional)

The unit can select Jet-Air centralized controller for the centralized control, convenient for the management. It can control maximum 36 units simultaneously. Moreover, it can control the functions such as ON/OFF, mode, fan, temperature, etc. for a single unit or a group of units and the operation is easy.



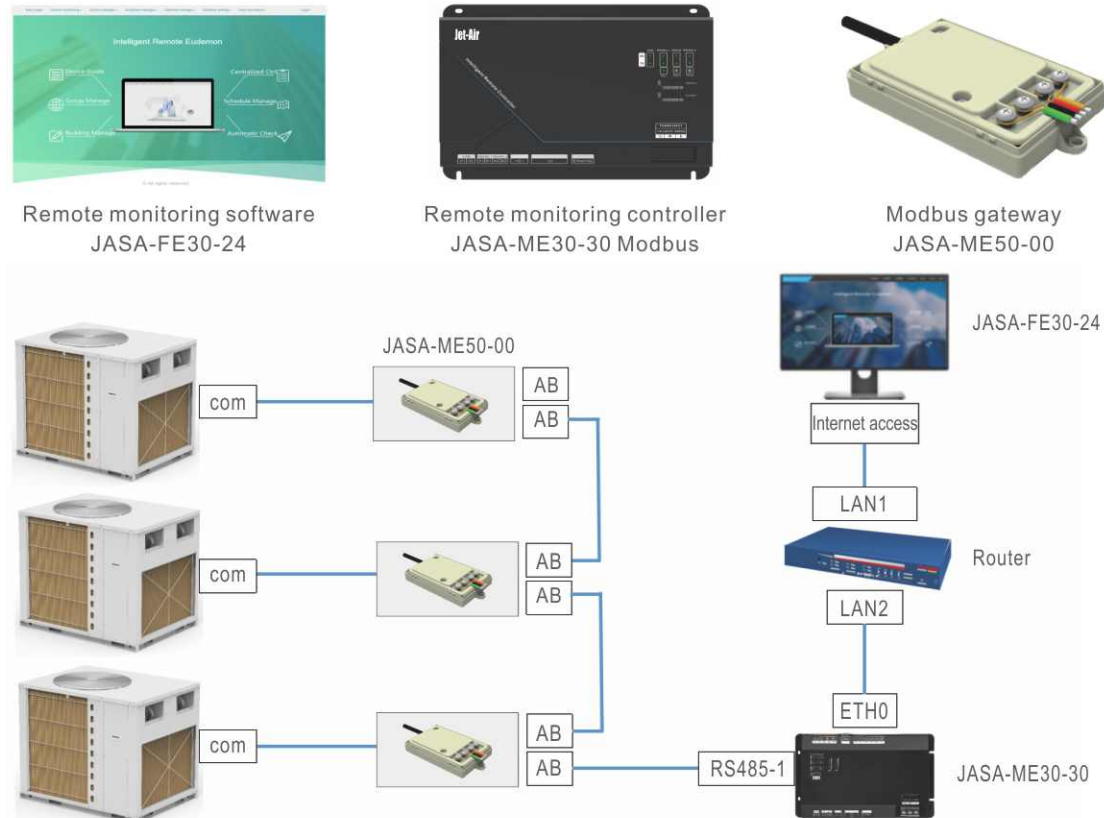
### BMS building control Modbus protocol (optional)

The unit can select the optional modbus gateway, which can connect with the third party BMS system. It can connect 255 units at the most.



### Remote monitoring (optional)

The unit can connect with remote control or building control based on requirements. One controller can connect 255 units at the most, which is very efficient and convenient for monitoring all air conditioners in a project.



### BMS building control Bacnet protocol (optional)

The unit can select the optional BACnet gateway, which can connect with the third party BMS system. It can connect 255 units at the most.

