



Jet-Air
Cool, Warm & Collected



SHINE
SERIES
SHI

Floor Standing



Turbo
Cooling



Energy
Saving



Quiet
Design



Proudly distributed by

JASA
Smart Home

Johannesburg (011)708 1148
Pretoria (012)752 8777
East Rand (011)823 2119
Cape Town (021)823 8866

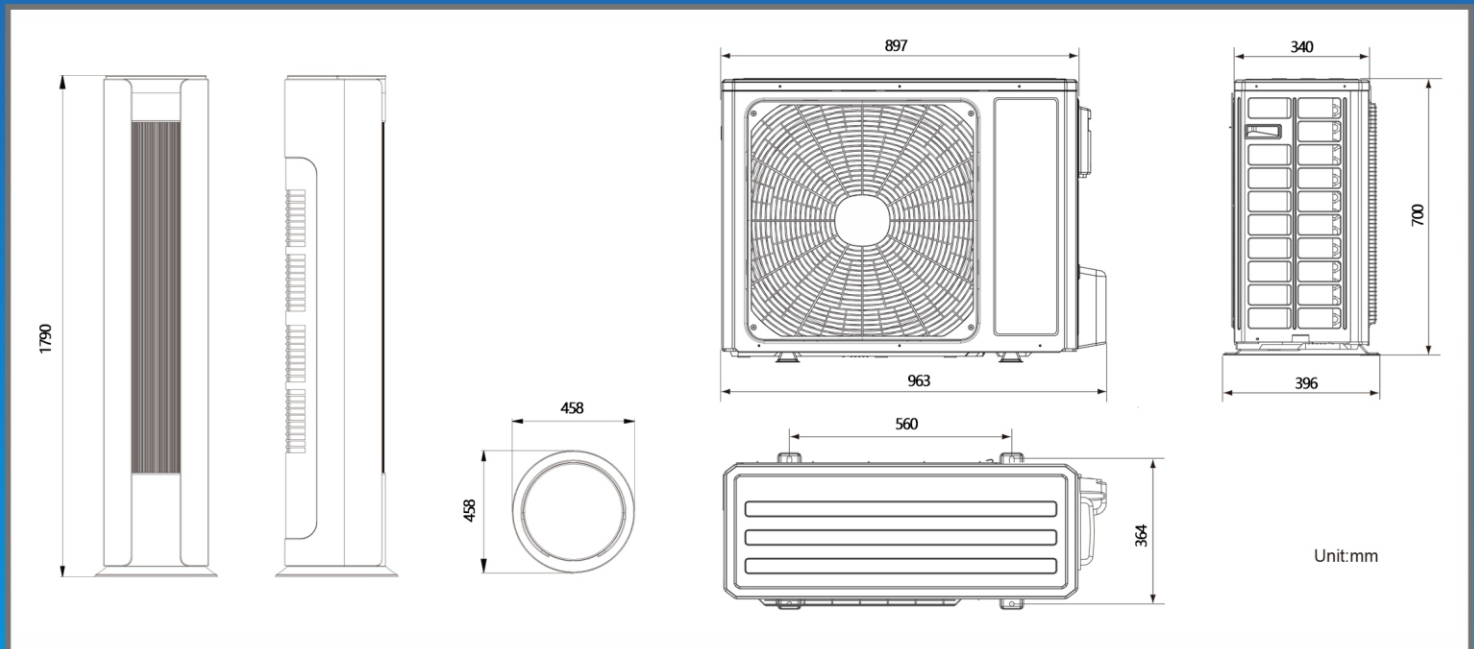
Durban (031)577 0498
Nelspruit (013)752 3258
Port Elizabeth (041)364 0947
Botswana (00267)262 2909

SHINE Inverter

Technical Specifications



Model			JASA-H24A4/SHI
Power Supply		V~,Hz,Ph	220~240,50,1
Capacity	Cooling	W	7100
	Heating	W	8800
Performance		EER/COP	3.20/3.20
Electric Data	Rated Cooling Power Input	W	2220
	Rated Heating Power Input	W	2750
	Rated Cooling Current	A	10.46
	Rated Heating Current	A	13.03
Indoor	Indoor Air Flow	m/h	1480/1200/1060/750/570/750
	Noise Level	dB(A)	48/42/39/35/30
	Outline Dimension (Φ×D)	mm	458×1790×458
	Package Dimension (W×H×D)	mm	543×2083×535
	Weight Net/Gross	kg	50.0/65.5
Outdoor	Noise Level	dB(A)	57
	Outline Dimension (W×H×D)	mm	955×700×396
	Package Dimension (W×H×D)	mm	1029×750×458
	Weight Net/Gross	kg	54.0/58.0
Refrigerant Pipe	Refrigerant Type	g	R410A/2000
	Gas	inch	1/4"
	Liquid	inch	5/8"
	Max Length	m	30
	Max Height	m	20



Due to JASA policy of constant improvement, specifications are subject to change without prior notice.

Remarks: Cooling capacities are based on indoor air temp. 27°C DB, 19°C WB and outdoor air temp. 35°C DB, 24°C WB. The above specifications are subject to change without prior notice for product improvement.

E.&O.E.

www.jet-air.co.za

